

DRAWING FOR CUSTOMER

- SPEC.:
- Rated Voltage:100V AC,DC
 - Rated Current:0.25A AC,DC
 - Withstand Voltage:200V AC/minute
 - Contact Resistance:100mΩ max
 - Insulation Resistance:100MΩ min
 - Temperature Range:-40℃~+85℃

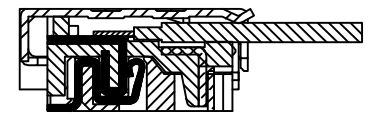
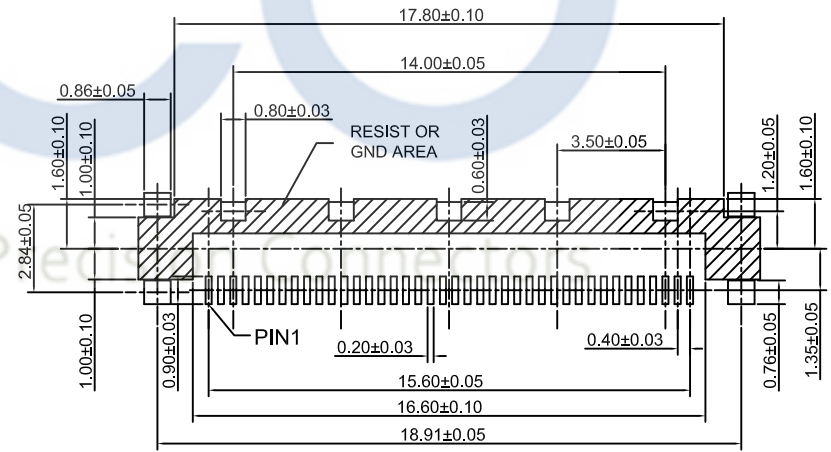
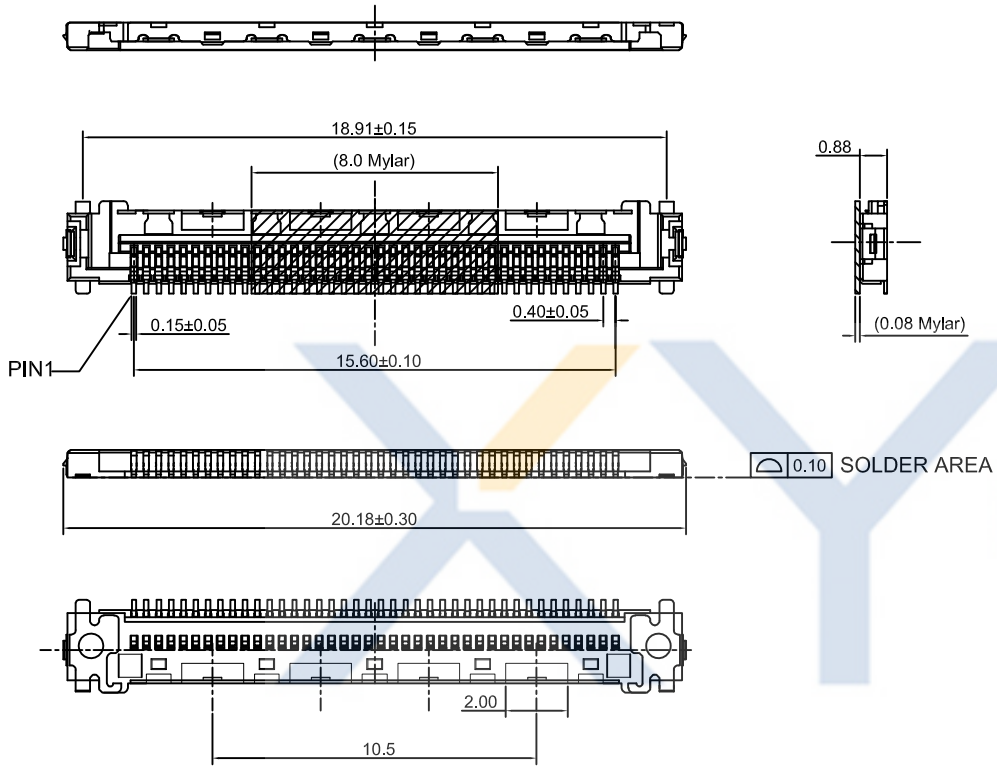
- Material:
- Insulator:LCP UL94V-0,Black
 - Contact Pin: Copper alloy
Finish:Gold-plated,over Nickel
 - Shell:Stainless steel
Finish:Gold-plated,over Nickel.

KB405-40 R S R 4 A

Pin No. Version
 Mold No.

包裝方式:
T:TUBE (管裝)
R:REEL (卷裝)
P: PE (袋裝)

 R:Right Angle
 V:Vertical
 S:SMT
 D:DIP



XYCO 东莞市轩业电子科技有限公司
TEL: 0769-8297 9981/2/3 http://www.XYCO.com.cn

					TOLERANCE 公差	DRAWING 設計者	Devin	KB405-40RSR4A			
2014-05-15	A	CHANGE HISTORY 變更歷史	KB405-40RSR4A	Devin	.X=±0.30	CHECKED 審查	Thomas	PART NO. 料號			
DATE 日期	VER 版本				.XX=±0.20	APPROVED 核准	William	DWG NO. 圖號	PE2108011A	UNIT 單位	mm
					.XXX=±0.10					PRODUCT NAME 產品名稱	USLS PH0.40mm 40PIN Wire To Board Connector SMT Right Angle Wafer

UNIT 單位	mm	PRODUCT NAME 產品名稱	USLS PH0.40mm 40PIN Wire To Board Connector SMT Right Angle Wafer
------------	----	----------------------	--