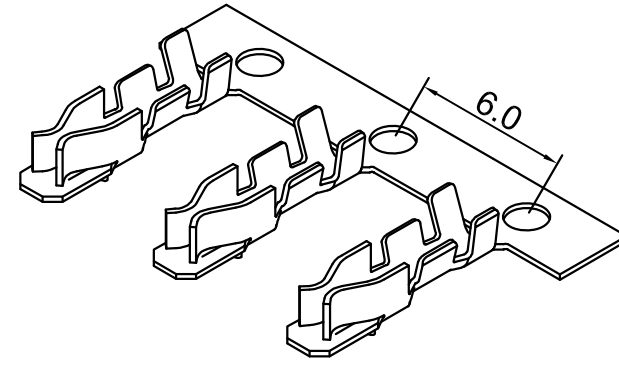
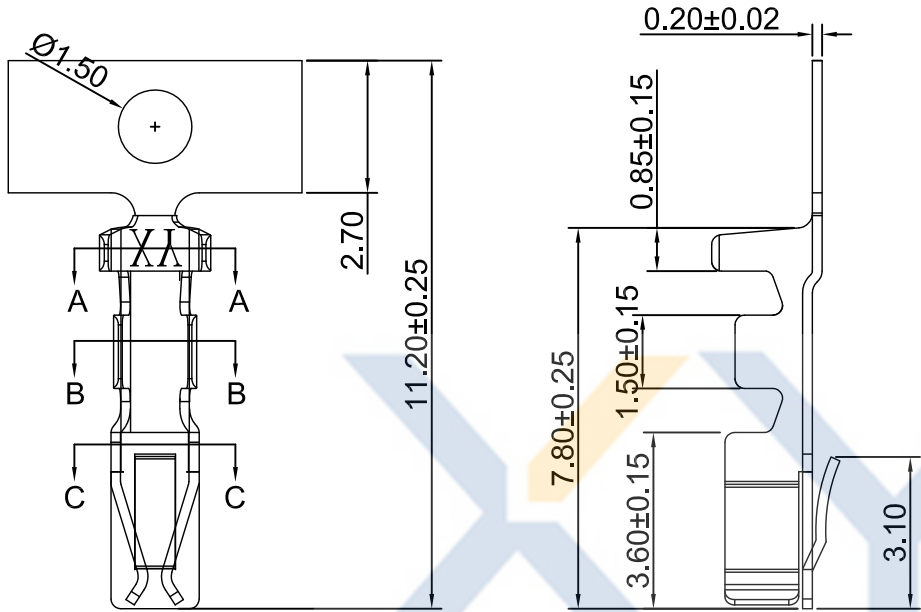
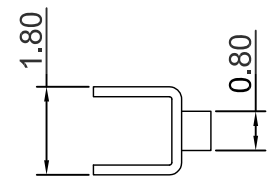
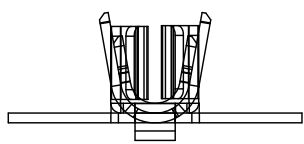


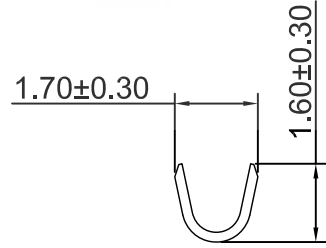
DRAWING FOR CUSTOMER



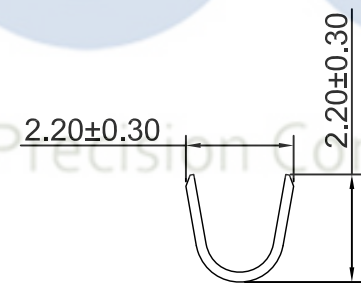
- SPEC.:
- Rated Voltage:250V AC,DC
 - Rated Current:3A AC,DC
 - Withstand Voltage:1000V AC/minute
 - Contact Resistance:20mΩ max
 - Insulation Resistance:1000MΩ min
 - Temperature Range:-25℃~+85℃
- Terminal:
- Material: Phosphor Bronze
 - Finish: Tin-plated, over Nickel
 - Applicable wire:AWG#22~#28
 - QTY.:11KPCS/Reel



Section:C-C



Section:B-B



Section:A-A

KB9410-XXXT1A

1:All plated
2:Half plated

Plating
0: Tin-plat
1: Gold Plat1u"
2: Gold Plat3u"
3: Gold Plat5u"

Version
Mold No.
Terminal

XYCO 东莞市轩业电子科技有限公司
TEL: 0769-8297 9981/2/3 http://www.XYCO.com.cn

					TOLERANCE 公差	DRAWING 設計者	Devin	KB9410-XXT1A			
2020-05-21	A	CHANGE HISTORY 變更歷史	KB9410-XXT1A	Devin	.X=±0.30	CHECKED 審查	Thomas	UNIT	mm		
DATE 日期	VER 版本				DRAWING 變更者	.XX=±0.20	APPROVED 核准	William	DWG NO. 圖號	PE2005006A	PRODUCT NAME 產品名稱
						.XXX=±0.10					SMH250-YT Wire To Board Terminal-Female

UNIT	mm	PRODUCT NAME	SMH250-YT Wire To Board Terminal-Female
------	----	--------------	--