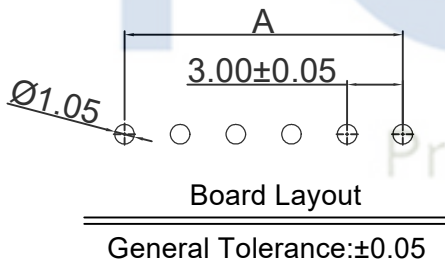
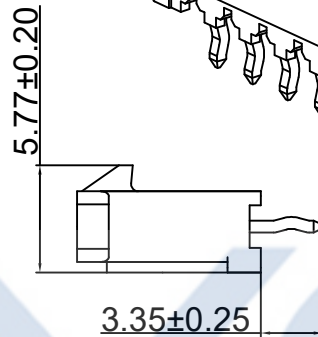
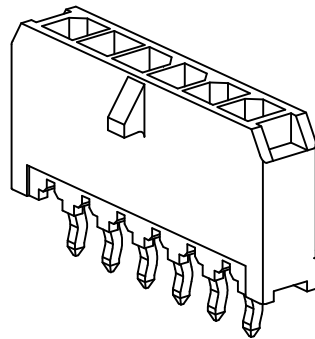
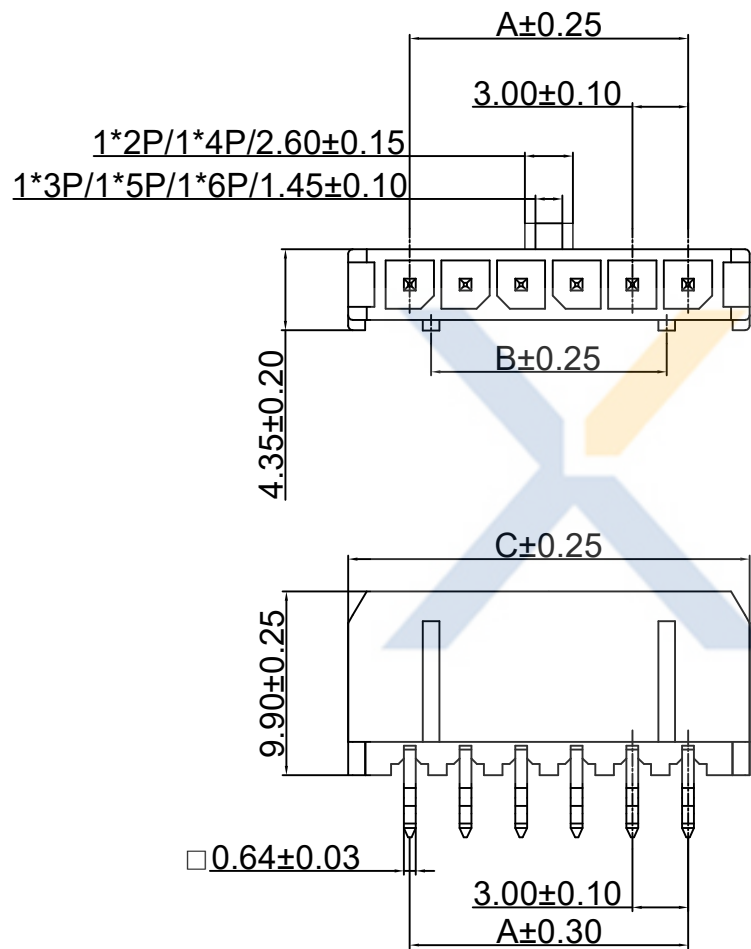


DRAWING FOR CUSTOMER

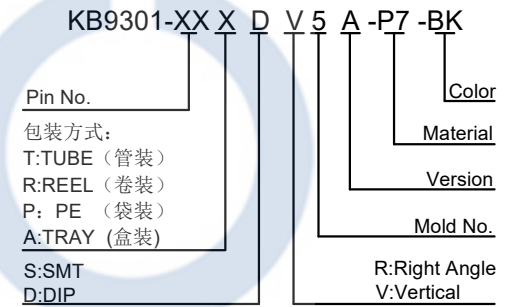


■SPEC.:

- Rated Voltage:250V AC,DC
- Rated Current:5A AC,DC
- Withstand Voltage:1500V AC/minute
- Insulation Resistance:1000MΩ min
- Contant Resistance:15mΩ Max.
- Temperature Range:-25℃~+85℃

■Notes:

- Insulation Material(A):P7-PA10T UL94-V0 Color;BK-Black
- Contact Material(B):Brass
- Plating: Tin-plated;Over Nickel



Poles	Dimensions		
	A	B	C
02	3.00	2.00	9.60
03	6.00	2.00	12.60
04	9.00	6.70	15.60
05	12.00	9.70	18.60
06	15.00	12.70	21.60

XYCO 东莞市轩业电子科技有限公司
 TEL: 0769-8297 9981 <http://www.XYCO.com.cn>

DATE 日期	VER 版本	CHANGE HISTORY 變更歷史	CHANGED NAME 修改後料號	DRAWING 變更者	TOLERANCE 公差	DRAWING 設計者	Devin	KB9301-XXXDV5A-P7-BK
2016-08-10	A		KB9301-XXXDV5A-P7-BK	Devin	.X=±0.30 .XX=±0.20 .XXX=±0.10	CHECKED 審查	Leo Li	PART NO. 料號
						APPROVED 核准	William	DWG NO. 圖號 PE160809A

UNIT 單位	mm	PRODUCT NAME 產品名稱	PH3.0mm Single Row DIP Vertical Wafer
------------	----	----------------------	--