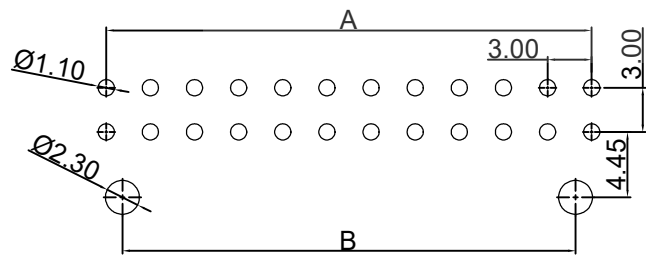
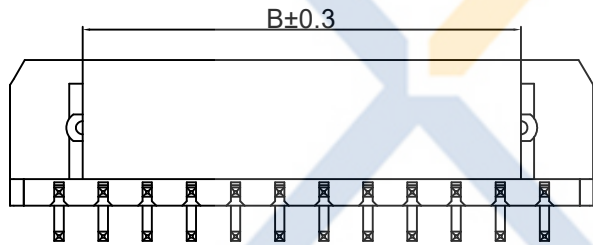
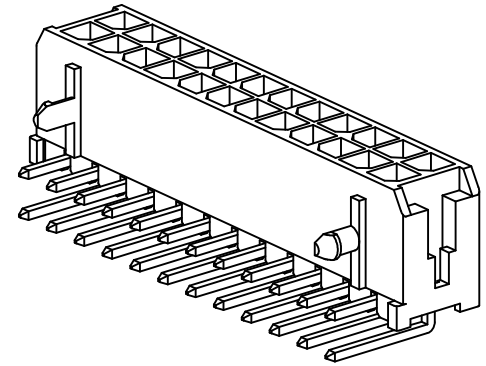
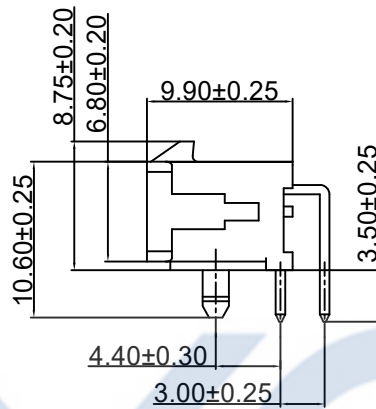
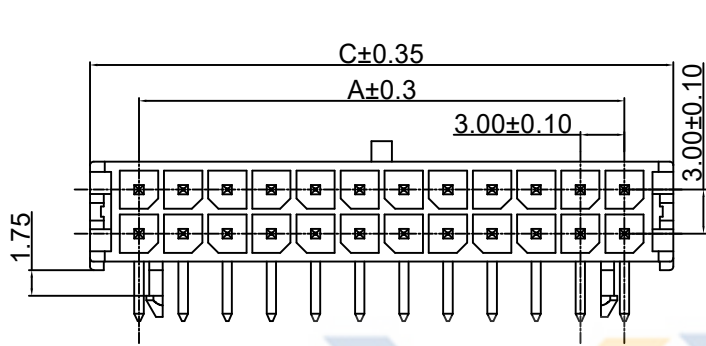


DRAWING FOR CUSTOMER



Board Layout
General Tolerance: ±0.05

■ SPEC.:

- Rated Voltage: 350V AC, DC
- Rated Current: 5A AC, DC
- Withstand Voltage: 1500V AC/minute
- Insulation Resistance: 1000MΩ min
- Contact Resistance: 15mΩ Max.
- Temperature Range: -40°C ~ +105°C

■ Notes:

- Insulation Material: P7-PA10T UL94-V0 HF
- Color: BK-Black
- Contact Material: Brass
- Plating: Tin-plated; Over Nickel-plated

KB9301-D XX X D R 5 A -P7 -BK

D: Double row

Pin No.

包裝方式:

T: TUBE (管裝)

R: REEL (卷裝)

P: PE (袋裝)

A: TRAY (盒裝)

S: SMT

D: DIP

Color

Material

Version

Mold No.

R: Right Angle

V: Vertical

Poles	Dimensions		
	A	B	C
2*01	—	1.15	6.7
2*02	3.0	1.15	9.7
2*03	6.0	1.15	12.7
2*04	9.0	5.8	15.7
2*05	12.0	8.8	18.7
2*06	15.0	11.8	21.7
2*07	18.0	14.8	24.7
2*08	21.0	17.8	27.7
2*09	24.0	20.8	30.7
2*10	27.0	23.8	33.7
2*11	30.0	26.8	36.7
2*12	33.0	29.8	39.7

XYCO 东莞市轩业电子科技有限公司
TEL: 0769-8297 9981 http://www.XYCO.com.cn

2015-11-16		A	KB9301-DXXXDR5A-P7-BK		Devin	TOLERANCE 公差		DRAWING 設計者 Devin		KB9301-DXXXDR5A-P7-BK		UNIT 單位 mm		PRODUCT NAME 產品名稱		PH3.0mm Double Row DIP Right Angle Wafer	
DATE 日期	VER 版本	CHANGE HISTORY 變更歷史	CHANGED NAME 修改後料號	DRAWING 變更者	.X=±0.30 .XX=±0.20 .XXX=±0.10	CHECKED 審查	Leo Li	PART NO. 料號		DWG NO. 圖號	PE201106A	PRODUCT NAME 產品名稱					
1	2	3	4	5	6	7	8	9	10	11	12	13	14	15	16	17	18