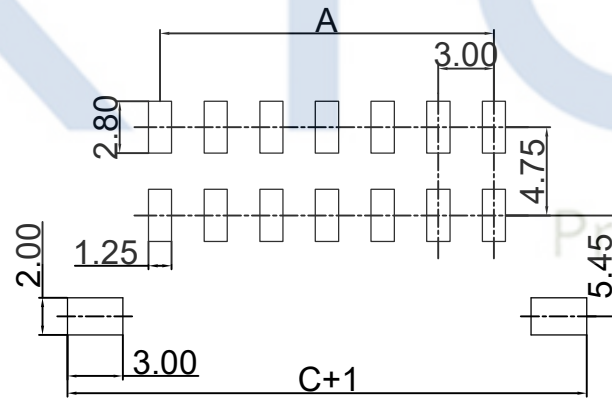
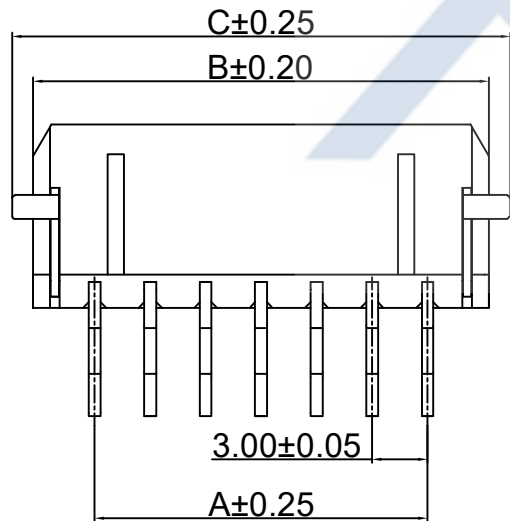
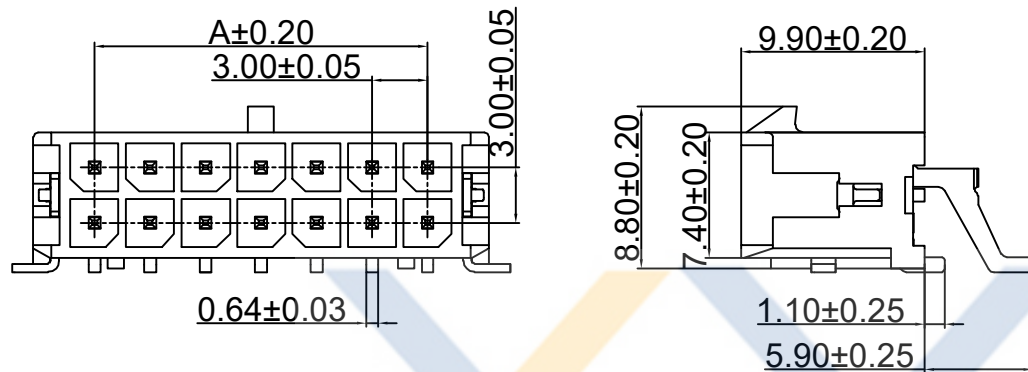
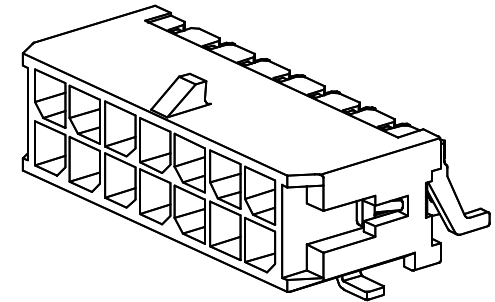


DRAWING FOR CUSTOMER



Board Layout
General Tolerance:±0.05

■SPEC.:

- Rated Voltage:250V AC,DC
- Rated Current:5A AC,DC
- Withstand Voltage:1500V AC/minute
- Insulation Resistance:1000MΩ min
- Contant Resistance:15mΩ Max.
- Temperature Range:-25℃~+85℃

■Notes:

- Insulation Material(A):P7-PA10T UL94-V0 Color;BK-Black
- Contact Material(B):Phosphor Bronze
- Plating:Matted Tin-plated;Over Nikel-plated
- Solder Tab(C):Brass Finish:Matted Tin-Plated,over Nickel

KB9301-D XX X S R 5 A -P7 -BK
 D: Double row
 Pin No. Color
 包裝方式: Material
 T:TUBE (管裝)
 R:REEL (卷裝)
 P: PE (袋裝)
 A:TRAY (盒裝)
 S:SMT
 D:DIP
 Version
 Mold No.
 R:Right Angle
 V:Vertical

Poles	Dimensions		
	A	B	C
2*02	—	9.75	11.5
2*03	6.0	12.75	14.5
2*04	9.0	15.75	17.5
2*05	12.0	18.75	20.5
2*06	15.0	21.75	23.5
2*07	18.0	24.75	26.5
2*08	21.0	27.75	29.5
2*09	24.0	30.75	32.5
2*10	27.0	33.75	35.5
2*11	30.0	36.75	38.5
2*12	33.0	39.75	41.5

XYCO 东莞市轩业电子科技有限公司
 TEL: 0769-8297 9981 http://www.XYCO.com.cn

2015-11-16	A		KB9301-DXXXSR5A-P7-BK	Devin	TOLERANCE 公差	DRAWING 設計者	Devin	KB9301-DXXXSR5A-P7-BK	
DATE 日期	VER 版本	CHANGE HISTORY 變更歷史	CHANGED NAME 修改後料號	DRAWING 變更者	.X=±0.30 .XX=±0.20 .XXX=±0.10	CHECKED 審查	Leo Li	PART NO. 料號	UNIT 單位
1						APPROVED 核准	William	DWG NO. 圖號	mm
								PE201103A	PRODUCT NAME 產品名稱

PH3.0mm Double Row SMT Right Angle Wafer	
---	--