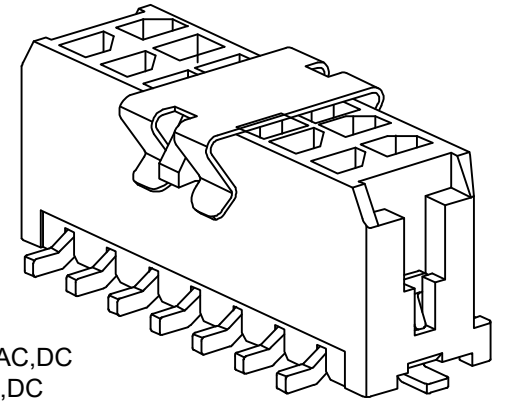
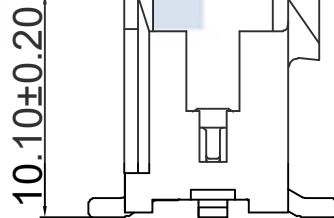
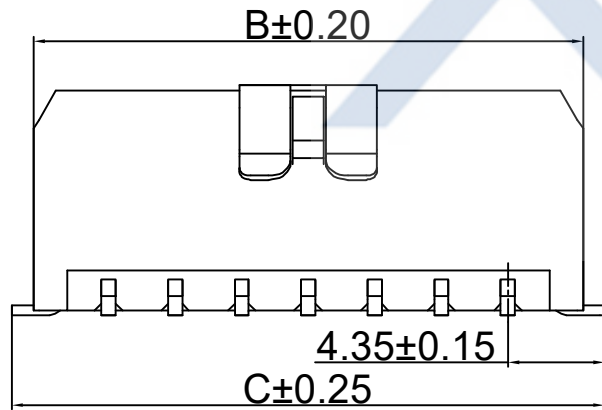
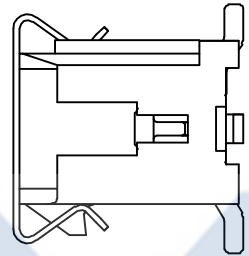
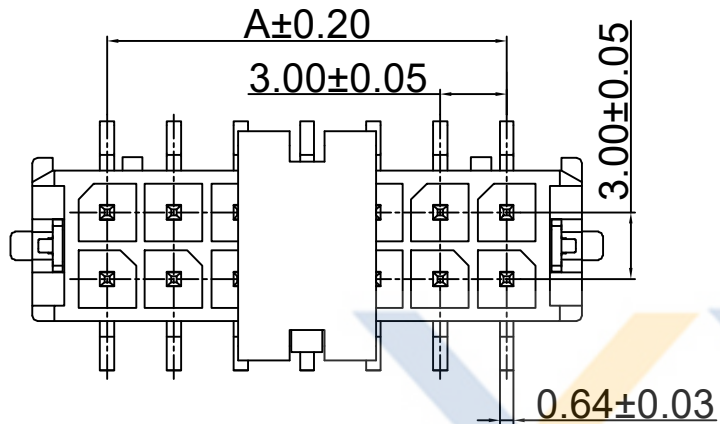


DRAWING FOR CUSTOMER



■ SPEC.:

- Rated Voltage: 250V AC, DC
- Rated Current: 5A AC, DC
- Withstand Voltage: 1500V AC/minute
- Insulation Resistance: 1000MΩ min
- Contact Resistance: 15mΩ Max.
- Temperature Range: -25°C ~ +85°C

■ Notes:

- Insulation Material(A): P7-PA10T UL94-V0
Color: BK-Black
- Contact Material(B): Phosphor Bronze
Finish: Matted Tin-plated; Over Nickel-plated
- Solder Tab(C): Brass
Finish: Matted Tin-Plated, over Nickel
- CAP(D): SUS301

Poles	Dimensions		
	A	B	C
2*02	—	9.75	11.5
2*03	6.0	12.75	14.5
2*04	9.0	15.75	17.5
2*05	12.0	18.75	20.5
2*06	15.0	21.75	23.5
2*07	18.0	24.75	26.5
2*08	21.0	27.75	29.5
2*09	24.0	30.75	32.5
2*10	27.0	33.75	35.5
2*11	30.0	36.75	38.5
2*12	33.0	39.75	41.5

KB9301-D XX X S V 5 A -P7 -BK

D: Double row
Pin No. Color
Material
Version
Mold No.
R: Right Angle
V: Vertical

包裝方式:
T: TUBE (管裝)
R: REEL (卷裝)
P: PE (袋裝)
A: TRAY (盒裝)

S: SMT
D: DIP

XYCO 东莞市轩业电子科技有限公司
TEL: 0769-8297 9981 http://www.XYCO.com.cn

DATE 日期	VER 版本	CHANGE HISTORY 變更歷史	CHANGED NAME 修改後料號	DRAWING 變更者	TOLERANCE 公差	DRAWING 設計者	Devin	KB9301-DXXXSV5A-P7-BK
2015-11-16	A		KB9301-DXXXSV5A-P7-BK	Devin	.X=±0.30 .XX=±0.20 .XXX=±0.10	CHECKED 審查	Leo Li	PART NO. 料號
						APPROVED 核准	William	DWG NO. 圖號 PE201105A

UNIT 單位	mm	PRODUCT NAME 產品名稱	PH3.0mm Double Row SMT Vertical Wafer