

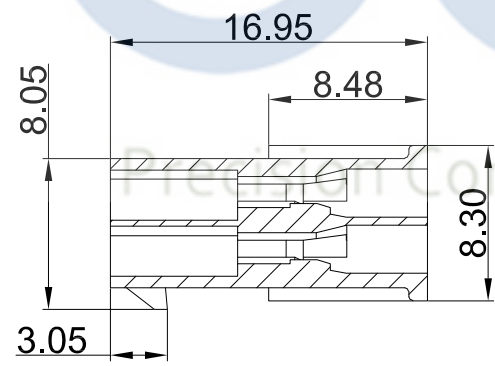
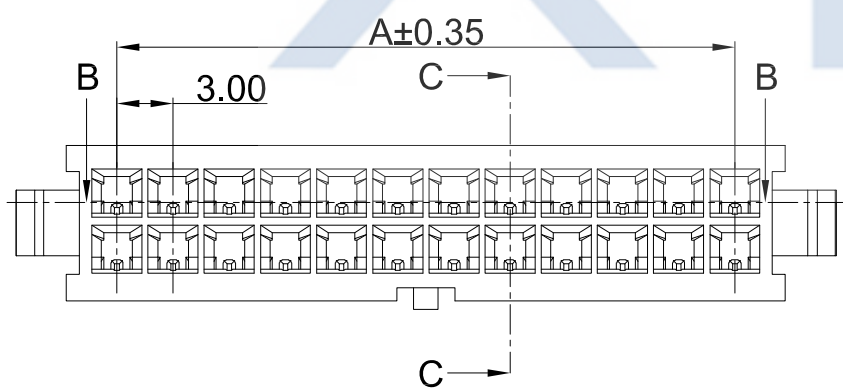
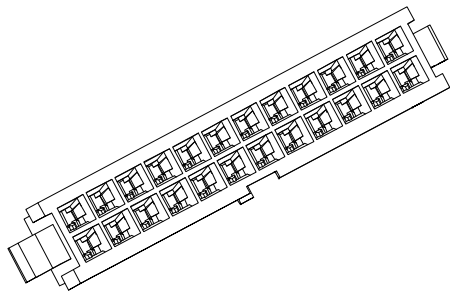
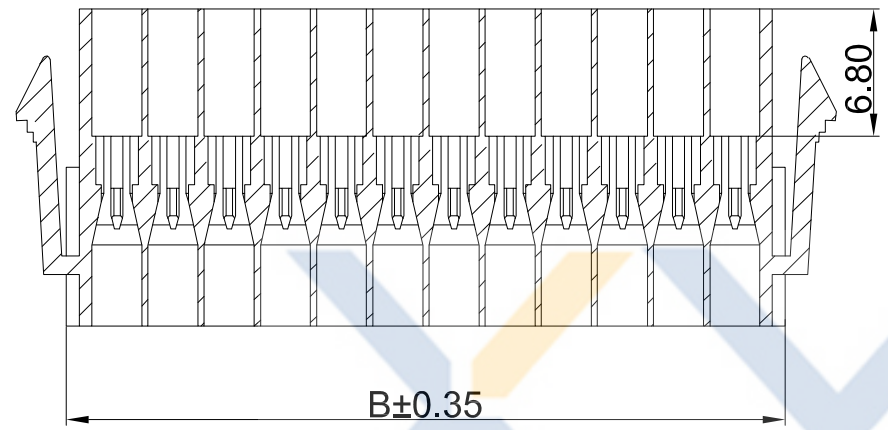
# DRAWING FOR CUSTOMER

- SPEC.:
- Rated Voltage:250V AC,DC
  - Rated Current:5A AC,DC
  - Withstand Voltage:1000V AC/minute
  - Contact Resistance:10mΩ max
  - Insulation Resistance:1000MΩ min
  - Temperature Range:-25°C~+85°C

- Material:
- Insulator:PA66 UL94V-2
  - Color:WH-White,BK-Black

KB9302-D X X H L 6 A -XX

Double row      Color  
Pin No.      Version  
Housing      Mold No.  
With Lock



Section:A-A

Poles	Dimensions(mm)	
	A	B
2X01	--	5.40
2X02	3.00	8.40
2X03	6.00	11.40
2X04	9.00	14.40
2X05	12.00	17.40
2X06	15.00	20.40
2X07	18.00	23.40
2X08	21.00	26.40
2X09	24.00	29.40
2X10	27.00	32.40
2X11	30.00	35.40
2X12	33.00	38.40

**XYCO** 东莞市轩业电子科技有限公司  
TEL: 0769-8297 9981    http://www.XYCO.com.cn

2015-10-16		A	KB9302-DXXHL6A-XX	Devin	TOLERANCE 公差	DRAWING 設計者	Devin	KB9302-DXXHL6A-XX	
DATE 日期	VER 版本	CHANGE HISTORY 變更歷史	CHANGED NAME 修改後料號	DRAWING 變更者	.X=±0.30 .XX=±0.20 .XXX=±0.10	CHECKED 審查	Leo Li	PART NO. 料號	UNIT 單位
						APPROVED 核准	William	DWG NO. 圖號	mm
								PE211207A	PRODUCT NAME 產品名稱

43020 PH3.0mm Wire To Wire Dual Row  
Housing with lock-Female