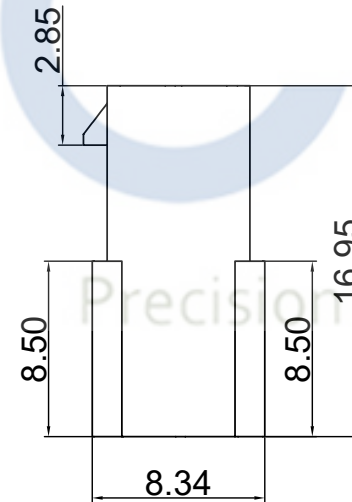
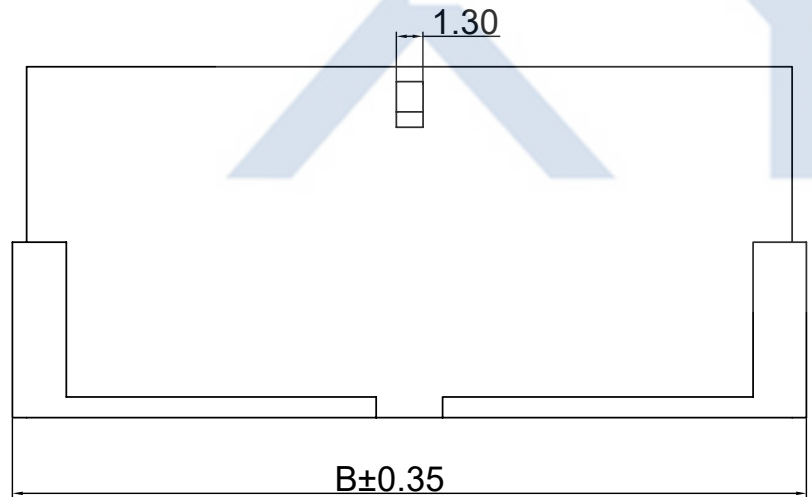
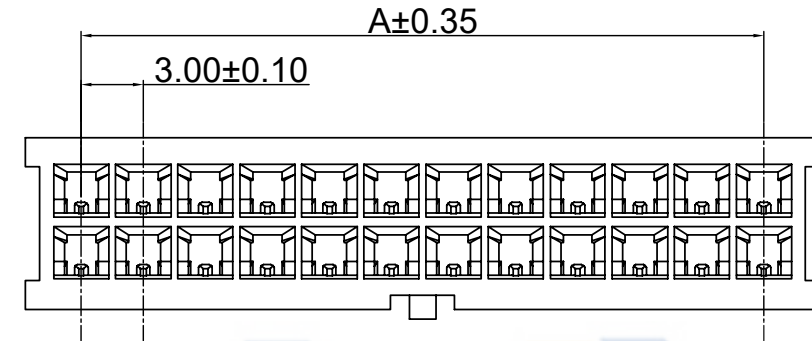


DRAWING FOR CUSTOMER

- SPEC.:**
 ●Rated Voltage:250V AC,DC
 ●Rated Current:5A AC,DC
 ●Withstand Voltage:1000V AC/minute
 ●Contact Resistance:10mΩ max
 ●Insulation Resistance:1000MΩ min
 ●Temperature Range:-25°C~+85°C

- Material:**
 ●Insulator:PA66 UL94V-2/V-0
 Color: BK-Black

KB9301-D X X H 6 A -XX
 Double row
 Pin No.
 Housing
 Color
 Version
 Mold No.



Poles	Dimensions(mm)	
	A	B
2X01	---	5.40
2X02	3.00	8.40
2X03	6.00	11.40
2X04	9.00	14.40
2X05	12.00	17.40
2X06	15.00	20.40
2X07	18.00	23.40
2X08	21.00	26.40
2X09	24.00	29.40
2X10	27.00	32.40
2X11	30.00	35.40
2X12	33.00	38.40

XYCO 东莞市轩业电子科技有限公司
 TEL: 0769-8297 9981/2/3 <http://www.XYCO.com.cn>

				TOLERANCE 公差		DRAWING 設計者		Devin		KB9301-DXXH6A-XX	
2015-10-16		A		.X=±0.30		CHECKED 審查		Thomas		PART NO. 料號	
DATE 日期		VER 版本		.XX=±0.20		APPROVED 核准		William		DWG NO. 圖號	
CHANGE HISTORY 變更歷史		CHANGED NAME 修改後料號		.XXX=±0.10						PE211219A	

UNIT 單位	mm	PRODUCT NAME 產品名稱	43025 PH3.0mm Wire To Wire Dual row Housing -Male
---------	----	-------------------	---