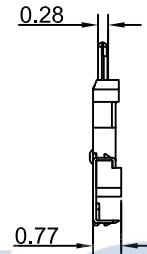
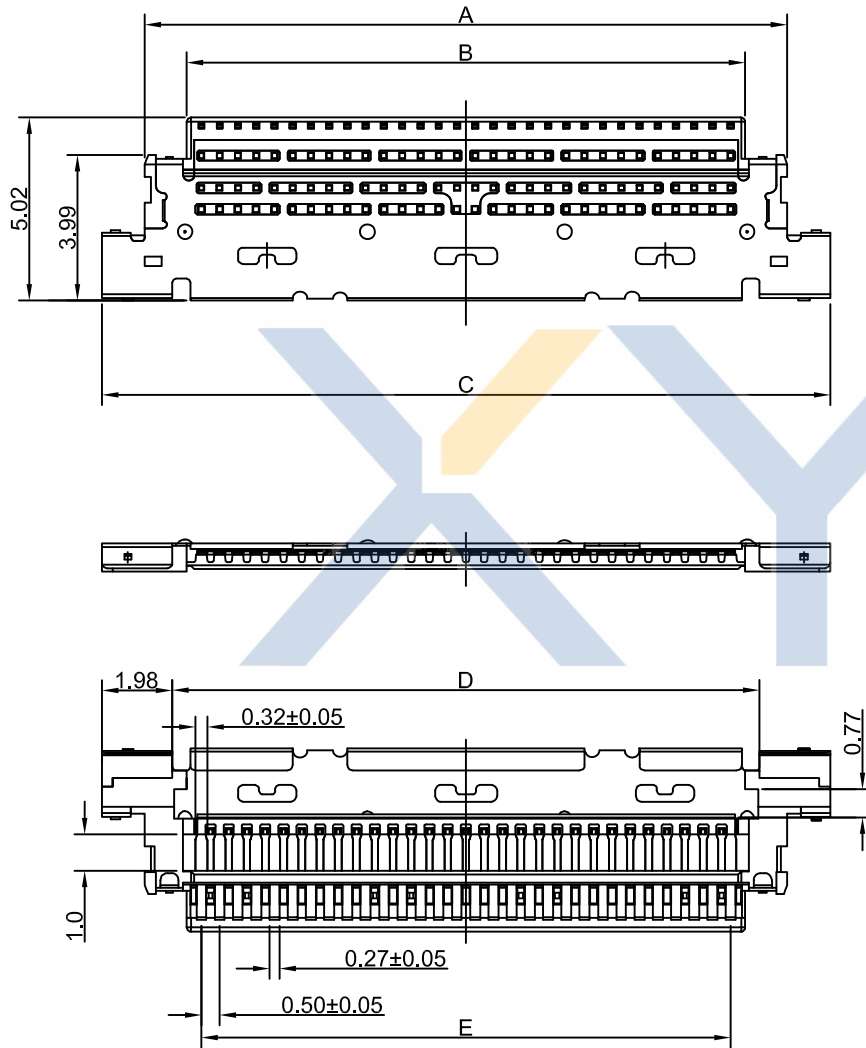


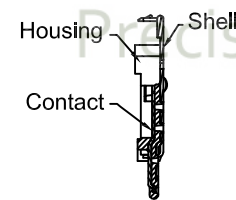
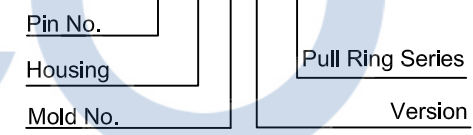
DRAWING FOR CUSTOMER



■NOTE:

- Terminal : Phosphor Bronze
Plating : contact area 3~5u" Gold ,and Au-plated 1~3u" on solder area ,over Nickel underplating 50u" min.
- Shell : Phosphor Bronze
Finish: Au-plated 1~3u", over Nickel underplating 50u" min.
- Housing: LCP UL94V-0 black
- Applicable wire:
SGC :AWG#36.40.42.44
DISCRET:AWG#32~36

KB501-XX H X A-R1



POS.	A	B	C	D	E
30P	17.56	15.3	19.95	16	14.5
40P	22.56	20.3	24.95	21	19.5

XYCO PRECISION CONNECTORS

TEL: 0769-8297 9981/2/3 <http://www.XYCO.com.cn>

2016-12-06	A-1	调整金手指面接触尺寸, 优化产品	KB501-XXHXA-R1	譚火秦	TOLERANCE 公差	DRAWING 設計者	譚火秦	KB501-XXHXA-R1	
2014-11-09	A		KB501-XXHXA-R1	譚火秦	.X=±0.30 .XX=±0.20 .XXX=±0.10	CHECKED 審查	楊峰	PART NO. 料號	UNIT 單位
DATE 日期	VER 版本	CHANGE HISTORY 變更歷史	CHANGED NAME 修改後料號	DRAWING 變更者		APPROVED 核准	譚宏	DWG NO. 圖號	mm
1	2	3	4	5	6	7	8	9	

PRODUCT NAME 產品名稱	I-PEX-20454 0.5mm LVDS Connector Pull Ring Series
----------------------	------------------------------------------------------