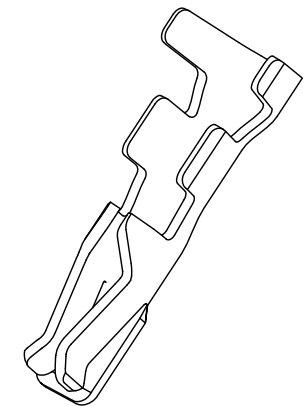
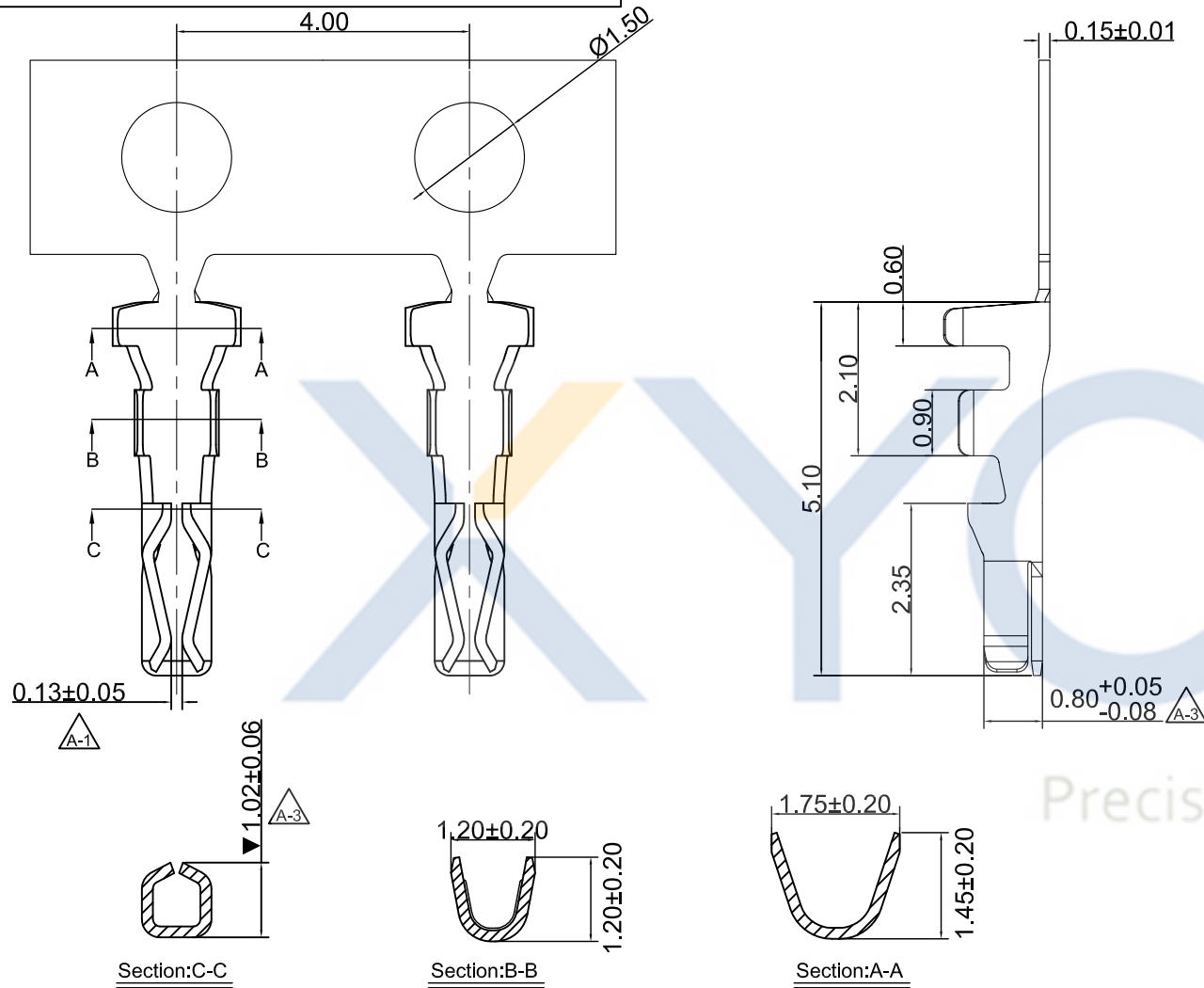


DRAWING FOR CUSTOMER



■SPEC.:

- Voltage Rating:200V AC/DC
- Current Rating:1A AC/DC
- Withstanding Voltage:500V AC/minute
- Contact Resistance:40mΩ max
- Insulation Resistance:100MΩ min
- Temperature Range:-25°C~ +85°C

■Terminal:

- Material:Phosphor Bronze
- Finish:Tin/Gold-Plated,over Nickel
- Applicable wire:AWG#28~32
- QTY.:15KPCS/Reel

KB913-XXXT1A

- 1:All plated
- 2:Half plated

Plating

- 0: Tin-plat
- 1: Gold Plat 1u"
- 2: Gold Plat 3u"
- 3: Gold Plat 5u"

Version

Mold No.

Terminal

| | | | | | |
|------------|-----------|------------------------|-----------------------|----------------|-------|
| 2021-05-31 | A-3 | 尺寸优化 | | KB913-XXT1A | Devin |
| 2021-03-01 | A-2 | 卡点优化 | | KB913-XXT1A | Devin |
| 2018-12-03 | A-1 | 调整夹口尺寸管控 | | KB913-XXT1A | Devin |
| 2011-03-11 | A | 新版发行 | | KB913-XXT1A | Devin |
| DATE 日期 | VER 版本 | CHANGE HISTORY 變更歷史 | CHANGED NAME 修改後料號 | DRAWING 變更者 | |

| | | | |
|-----------------|----------------|---------|---------------|
| TOLERANCE 公差 | DRAWING 設計者 | Devin | KB913-XXT1A |
| .X=±0.30 | CHECKED 審查 | Thomas | PART NO. 料號 |
| .XX=±0.20 | APPROVED 核准 | William | DWG NO. 圖號 |
| .XXX=±0.10 | | | PE1808012A |

XYCO 东莞市轩业电子科技有限公司
 TEL: 0769-8297 9981/2/3 http://www.XYCO.com.cn

| | | | |
|------------|----|----------------------|---|
| UNIT 單位 | mm | PRODUCT NAME 產品名稱 | FI-S PH1.25mm Wire To Board Terminal |
|------------|----|----------------------|---|