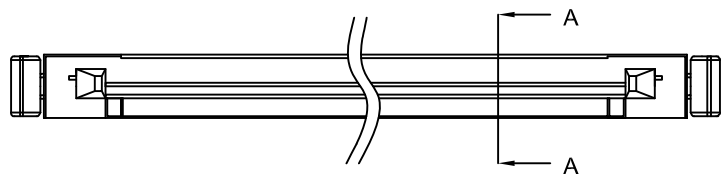


DRAWING FOR CUSTOMER

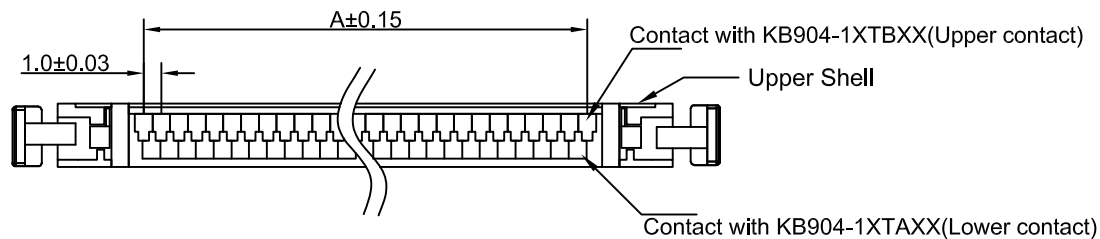
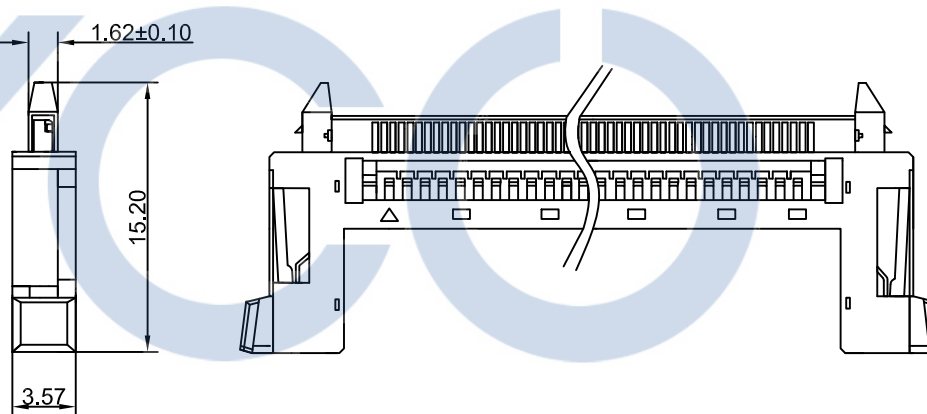
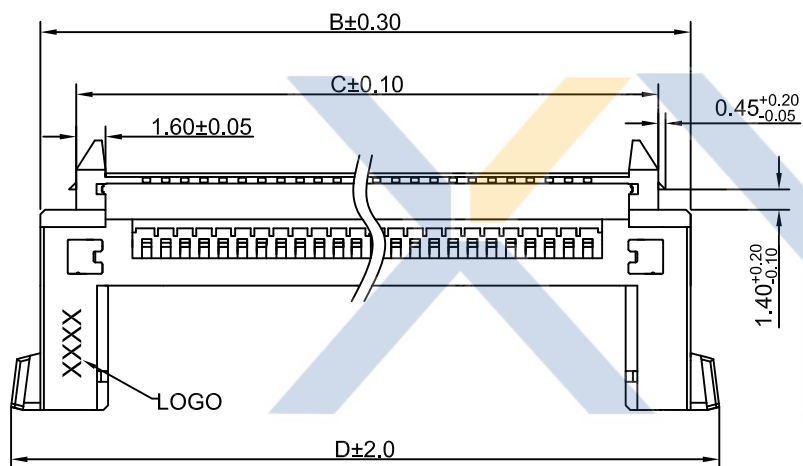
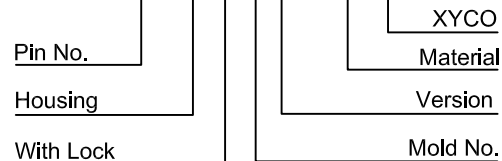


SECTION A-A

- Material:
- Insulator: PA66 UL94V-0
 - Upper Shell: Stainless Steel
 - Latch: Stainless Steel

- SPEC.:
- Rated Voltage: 200V AC, DC
 - Rated Current: 0.8A AC, DC
 - Withstand Voltage: 500V AC/minute
 - Contact Resistance: 40mΩ max
 - Insulation Resistance: 100MΩ min
 - Temperature Range: -40°C ~ +85°C

KB904- XX H L X A - B1 X



Pin No.	Dimension	A	B	C	D
51 pin		25	36.50	32.65	40.60
41 pin		20	31.50	27.65	35.50
31 pin		20	26.50	22.65	30.50

XYCO PRECISION CONNECTORS

TEL: 0769-8297 9981/2/3 <http://www.XYCO.com.cn>

2015-08-10	A-1	調整尺寸公差	KB904-XXHLXA-B1X	譚火秦	TOLERANCE 公差	DRAWING 設計者	譚火秦	KB904-XXHLXA-B1X
2015-03-20	A		KB904-XXHLXA-B1X	譚火秦	.X=±0.30 .XX=±0.20 .XXX=±0.10	CHECKED 審查	彭太坤	PART NO. 料號
DATE 日期	VER 版本	CHANGE HISTORY 變更歷史	CHANGED NAME 修改後料號	DRAWING 變更者		APPROVED 核准	譚宏	DWG NO. 圖號

UNIT 單位	mm	PRODUCT NAME 產品名稱	FI-RE PH0.5mm Wire To Board Housing with lock