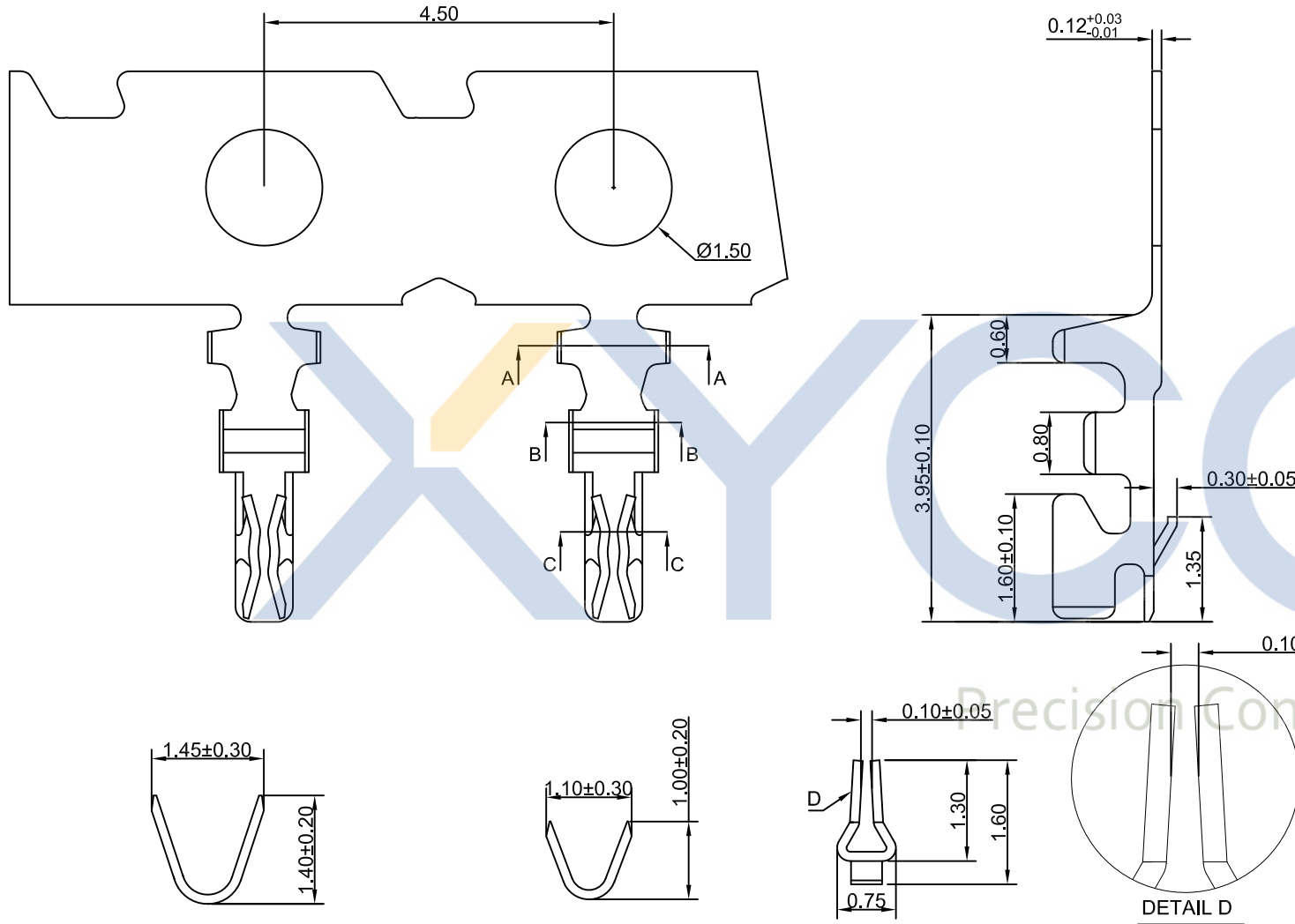


DRAWING FOR CUSTOMER



- SPEC.:
- Rated Voltage:50V AC,DC
 - Rated Current:1A AC,DC
 - Withstand Voltage:500V AC/minute
 - Contact Resistance:20m Ω max
 - Insulation Resistance:100M Ω min
 - Temperature Range:-25 $^{\circ}$ C~+85 $^{\circ}$ C
 - QTY.:15KPCS/Reel
- Terminal
- Material:Phosphor Bronze C5191
 - Finish:Tin-plated,over Nickel
 - Applicable wire:AWG#28~32

KB901-XXTXA

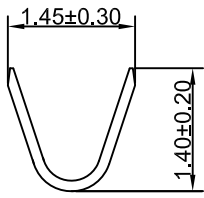
1:All plated
2:Half plated

Plating
0: Tin-plat
1: Gold Plat1u"
2: Gold Plat3u"
3: Gold Plat5u"

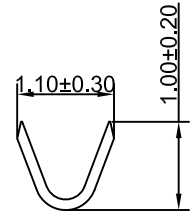
Version

Mold No.

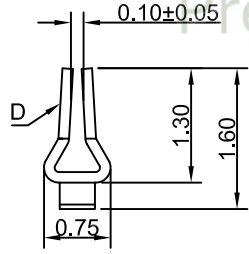
Terminal



Section:A-A



Section:B-B



Section:C-C

XYCO PRECISION CONNECTORS
TEL: 0769-8297 9981/2/3 <http://www.XYCO.com.cn>

2015-05-13	A-1		KB901-XXTXA	譚火秦	TOLERANCE 公差	DRAWING 設計者	譚火秦	KB901-XXTXA		UNIT 單位	mm	PRODUCT NAME 產品名稱	JST SH1.0mm Wire to Board Terminal
2013-08-10	A		KB901-XXTXA	譚火秦	.X \pm 0.30 .XX \pm 0.20 .XXX \pm 0.10	CHECKED 審查	彭太坤	PART NO. 料號	DWG NO. 圖號				
DATE 日期	VER 版本	CHANGE HISTORY 變更歷史	CHANGED NAME 修改後料號	DRAWING 變更者		APPROVED 核准	譚宏						