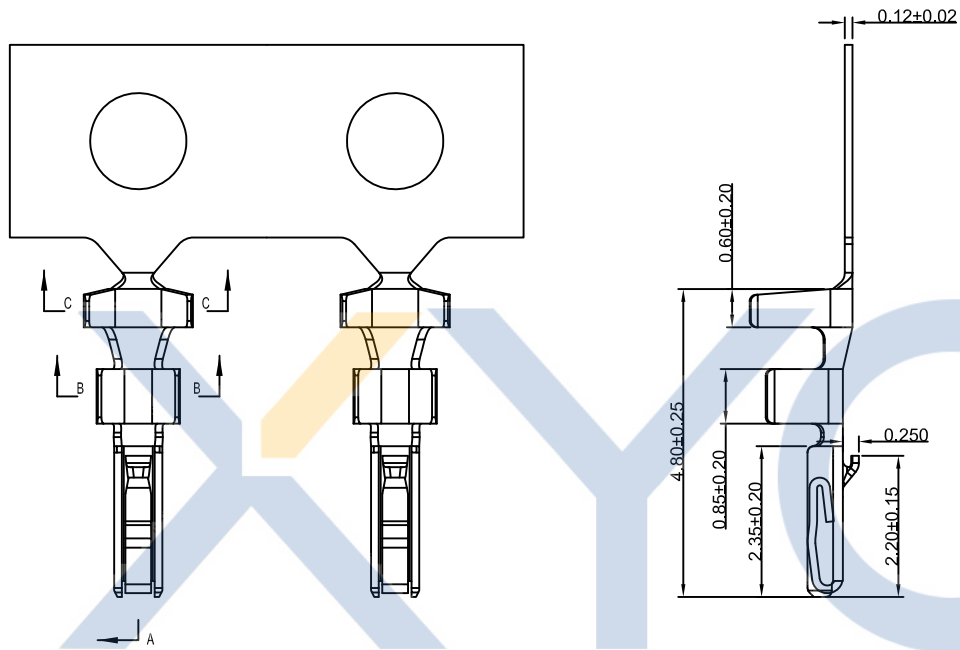


DRAWING FOR CUSTOMER



- SPEC.:
- Rated Voltage:200V AC,DC
 - Rated Current:1A AC,DC
 - Withstand Voltage:500V AC/minute
 - Contact Resistance:40mΩ max
 - Insulation Resistance:100MΩ min
 - Temperature Range:-40℃~+85℃
 - Applicable wire:AWG#28~32
 - QTY.:20KPCS/Reel

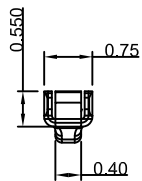
- Terminal
- Material:Phosphor Bronze C5191
 - Finish:Gold/Tin-plated,over Nickel

KB918-XXTXA

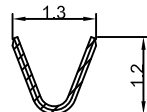
Version
 Mold No.
 Terminal

1:All plated
 2:Half plated

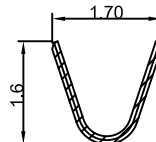
Plating
 0: Tin-plat
 1: Gold Plated1u"
 2: Gold Plated3u"
 3: Gold Plated5u"



SEC:A-A



SEC:B-B



SEC:C-C

Precision Connectors

XYCO PRECISION CONNECTORS

TEL: 0769-8297 9981/2/3 <http://www.XYCO.com.cn>

					TOLERANCE 公差	DRAWING 設計者	刘造强	KB918-XXTXA	
2017-11-20	A	新模端子	KB918-XXTXA	刘造强	.X=±0.25 .XX=±0.15 .XXX=±0.08	CHECKED 審查	彭太坤	PART NO. 料號	
DATE 日期	VER 版本	CHANGE HISTORY 變更歷史	CHANGED NAME 修改後料號	DRAWING 變更者		APPROVED 核准	谭宏	DWG NO. 圖號	PE1712010A

UNIT 單位	mm	PRODUCT NAME 產品名稱	JST GHR1.25mm Wire To Board Terminal
------------	----	----------------------	---