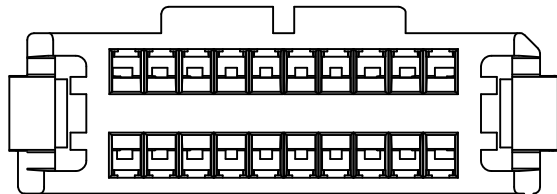
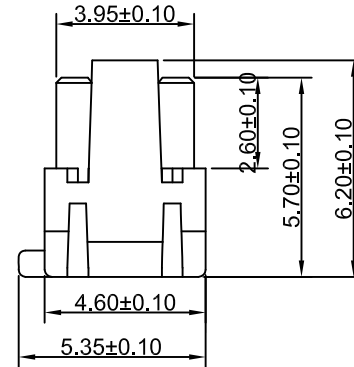
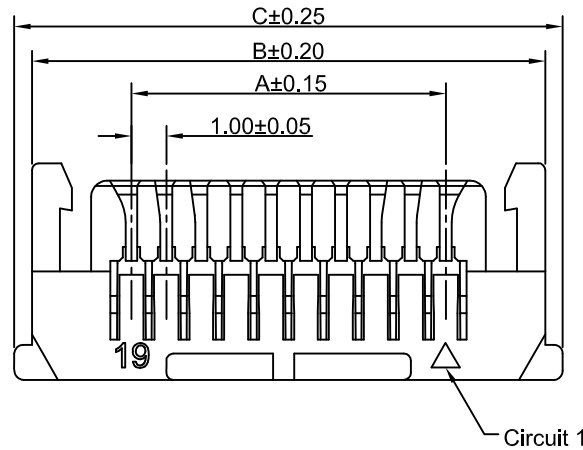
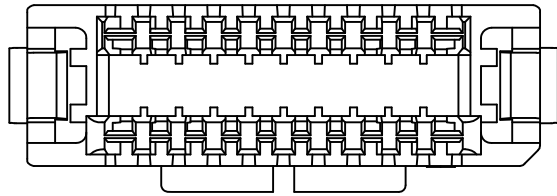


# DRAWING FOR CUSTOMER



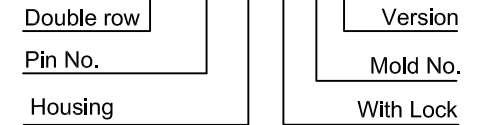
### Specifications:

- Rated Voltage: 50V AC,DC
- Rated Current: 1A AC,DC
- Withstand Voltage: 500V AC/minute
- Contact Resistance: 30mΩ (MAX.)
- Insulation Resistance: 100MΩ (MIN.)
- Temperature Range: -25°C~+85°C

### Material:

- Insulator : PA66 UL94V-0
- Color:White

KB905- D XX H L 2 A



Poles	Dimension mm		
	A	B	C
2X10	9.00	14.70	15.70
2X15	14.00	19.70	20.70
2X20	19.00	24.70	25.70
2X25	24.00	29.70	30.70

**XYCO** 东莞市轩业电子科技有限公司  
TEL: 0769-8297 9981/2/3 http://www.XYCO.com.cn

2014-06-05	A	CHANGE HISTORY 變更歷史	KB905-DXXHL2A	Devin	TOLERANCE 公差	DRAWING 設計者	Devin	KB905-DXXHL2A			
DATE 日期	VER 版本				CHANGED NAME 修改後料號	DRAWING 變更者	.X=±0.30 .XX=±0.20 .XXX=±0.10	CHECKED 審查	Thomas	PART NO. 料號	UNIT 單位
								APPROVED 核准	William	DWG NO. 圖號	PE1809015A

PRODUCT NAME 產品名稱	SHLDP PH1.00mm Wire To board Double row Housing With Lock
----------------------	--