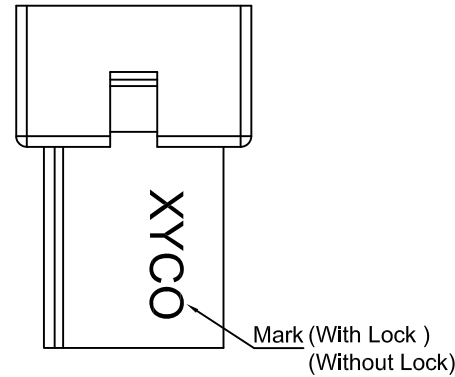
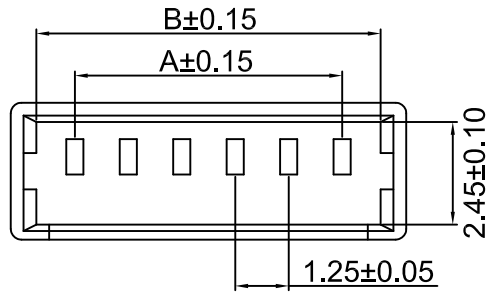


# DRAWING FOR CUSTOMER



- SPEC.:
- Rated Voltage:125V AC,DC
  - Rated Current:1A AC,DC
  - Withstand Voltage:500V AC/minute
  - Contact Resistance:20mΩ max
  - Insulation Resistance:100MΩ min
  - Temperature Range:-25℃~+85℃

- Material:
- Insulator:PA66 UL94V-0
  - Color:White

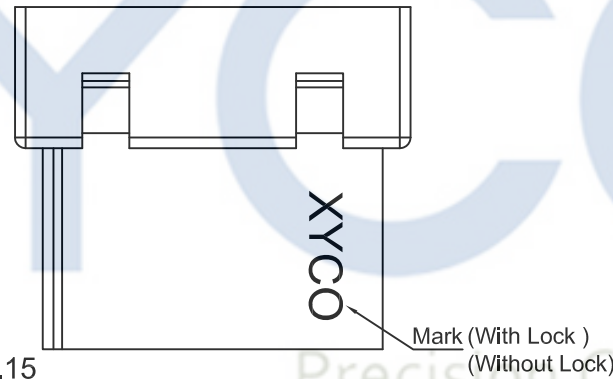
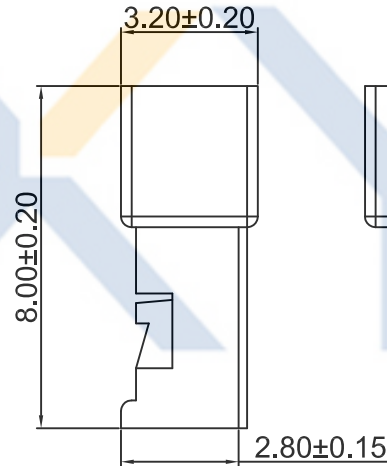
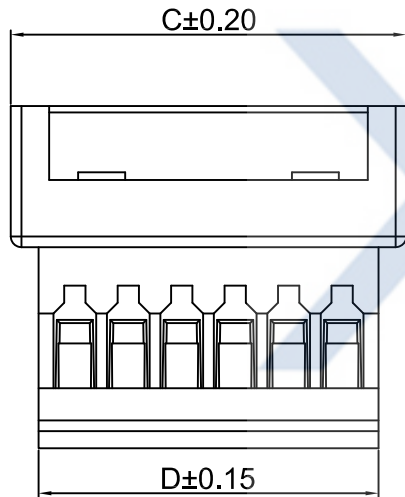
2~3PIN

KB915-X X H 1 A-F1 X

Part No. \_\_\_\_\_ XYCO

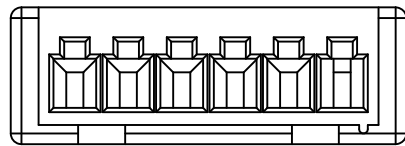
Housing \_\_\_\_\_ Wire To Wire

Mold No. \_\_\_\_\_ Version \_\_\_\_\_



3PIN以上

Poles	Dimension(mm)			
	A	B	C	D
02	1.25	3.05	4.25	2.95
03	2.50	4.30	5.50	4.20
04	3.75	5.55	6.75	5.45
05	5.00	6.80	8.00	6.70
06	6.25	8.05	9.25	7.95
07	7.50	9.30	10.50	9.20
08	8.75	10.55	11.75	10.45
09	10.00	11.80	13.00	11.70
10	11.25	13.05	14.25	12.95



**XYCO** 东莞市轩业电子科技有限公司  
 TEL: 0769-8297 9981/2/3 <http://www.XYCO.com.cn>

2014-07-28	A		KB915-XXH1A-F1X	Devin	TOLERANCE 公差	DRAWING 設計者	Devin	KB915-XXH1A-F1X
DATE 日期	VER 版本	CHANGE HISTORY 變更歷史	CHANGED NAME 修改後料號	DRAWING 變更者	.X=±0.30 .XX=±0.20 .XXX=±0.10	CHECKED 審查	Thomas	PART NO. 料號
						APPROVED 核准	William	DWG NO. 圖號
1	2	3	4	5	6	7	8	9

UNIT 單位	mm	PRODUCT NAME 產品名稱	51047 PH1.25mm Wire To Wire Housing
------------	----	----------------------	--