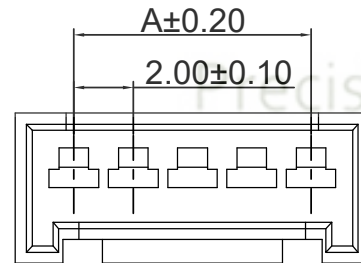
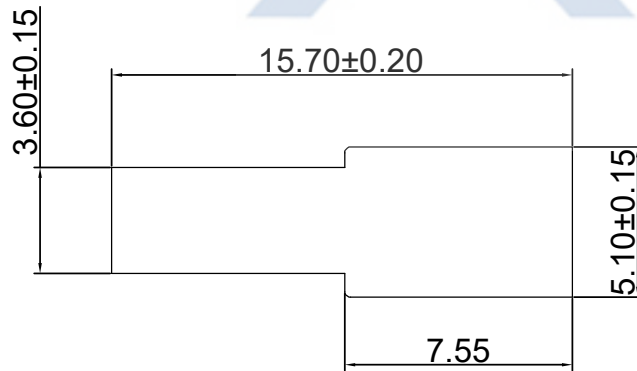
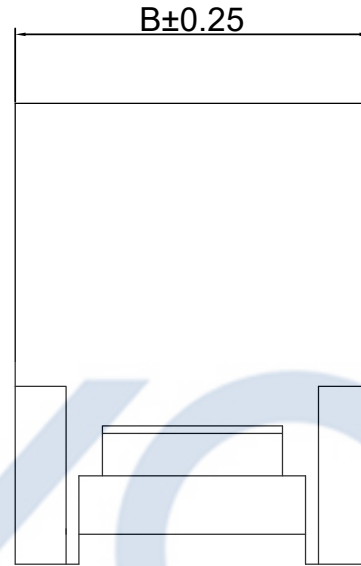
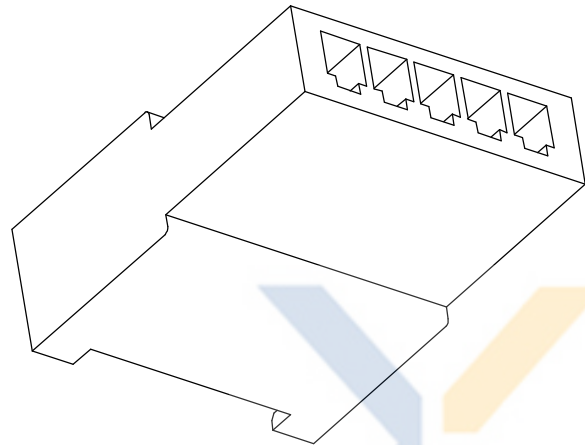
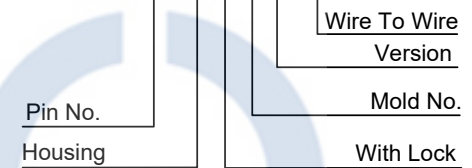


# DRAWING FOR CUSTOMER

- SPEC.:
- Rated Voltage:250V AC,DC
  - Rated Current:3A AC,DC
  - Withstand Voltage:800V AC/minute
  - Contact Resistance:20mΩ max
  - Insulation Resistance:1000MΩ min
  - Temperature Range:-25℃~+85℃

- Material:
- Insulator:PA66 UL94V-0
  - Color:White

KB935-XXHL2A-F1



Poles	Dimensions(mm)	
	A	B
02	2.00	6.00
03	4.00	8.00
04	6.00	10.00
05	8.00	12.00
06	10.00	14.00
07	12.00	16.00
08	14.00	18.00
09	16.00	20.00
10	18.00	22.00
11	20.00	24.00
12	22.00	26.00
13	24.00	28.00
14	26.00	30.00
15	28.00	32.00

**XYCO** 东莞市轩业电子科技有限公司  
TEL: 0769-8297 9981/2/3 http://www.XYCO.com.cn

2014-08-01		A			KB935-XXHL2A-F1	Devin	TOLERANCE 公差	DRAWING 設計者	Devin	KB935-XXHL2A-F1	
DATE 日期	VER 版本	CHANGE HISTORY 變更歷史	CHANGED NAME 修改後料號	DRAWING 變更者			.X=±0.30 .XX=±0.20 .XXX=±0.10	CHECKED 審查	Thomas	PART NO. 料號	UNIT 單位
								APPROVED 核准	William	DWG NO. 圖號	mm
										PE1711001A	PRODUCT NAME 產品名稱
											PHS PH2.0 Wire To Wire Housing with Lock

