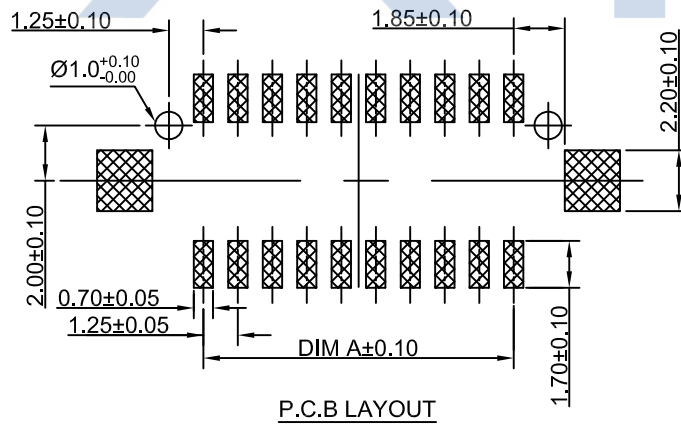
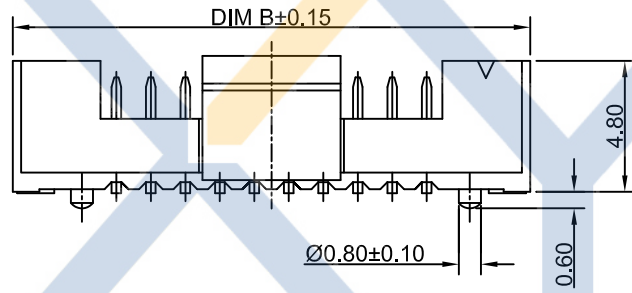
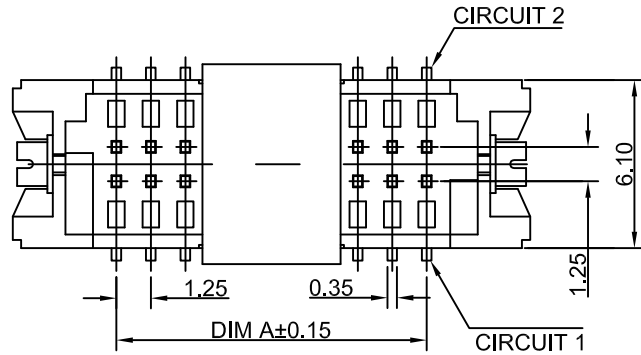


DRAWING FOR CUSTOMER



■SPEC.:

- Rated Voltage:150V AC,DC
- Rated Current:1A AC,DC
- Withstand Voltage:300V AC/minute
- Contact Resistance:30mΩ max
- Insulation Resistance:500MΩ min
- Temperature Range:-40℃~+85℃
- Material:PA66 UL94-V0

KB911- D XX X S V 2 A

Double row

Pin No.

T:TUBE 管裝
R:REEL 卷裝
P:PE 袋裝

Version

Mold No.

R:Right angle
V:Vertical

S:SMT
D:DIP

Precision Connectors

20P*2	KB911-D40XSV2A	23.75	31.25
15P*2	KB911-D30XSV2A	17.50	25.00
10P*2	KB911-D20XSV2A	11.25	18.75
05P*2	KB911-D10XSV2A	5.00	12.50
CKT/ROW	Part No.	A	B

XYCO PRECISION CONNECTORS

TEL: 0769-8297 9981/2/3 <http://www.XYCO.com.cn>

2013-06-21		A			KB911-DXXXXSV2A	John	TOLERANCE 公差	DRAWING 設計者	John	KB911-DXXXXSV2A	
DATE 日期	VER 版本	CHANGE HISTORY 變更歷史	CHANGED NAME 修改後料號	DRAWING 變更者			.X=±0.30 .XX=±0.20 .XXX=±0.10	CHECKED 審查	Thomas	PART NO. 料號	UNIT 單位
								APPROVED 核准	William	DWG NO. 圖號	mm
1	2	3	4	5	6	7	8	9	10	11	12

PRODUCT NAME 產品名稱	HRS PH1.25mm DF13 WAFER
----------------------	----------------------------