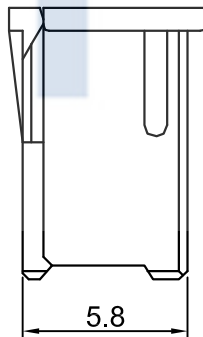
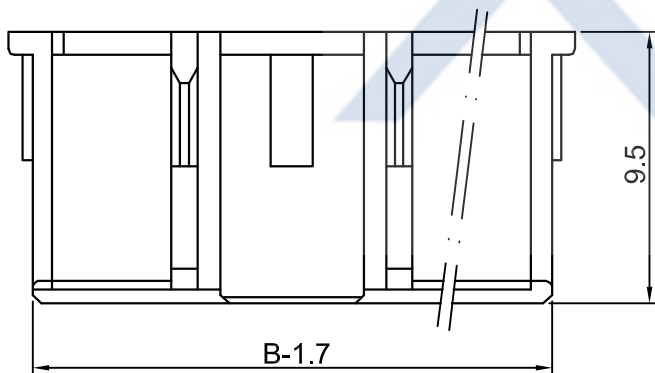
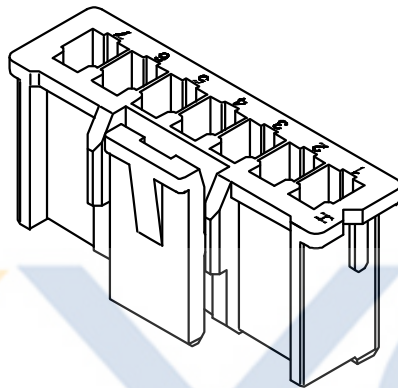
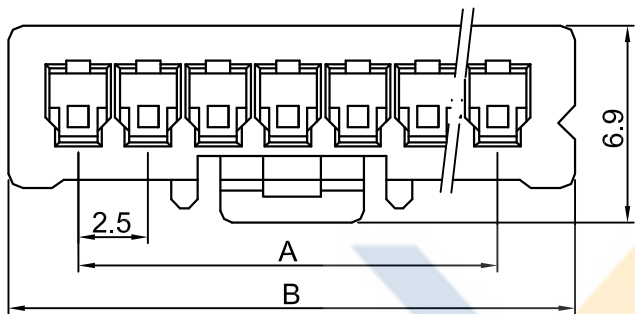


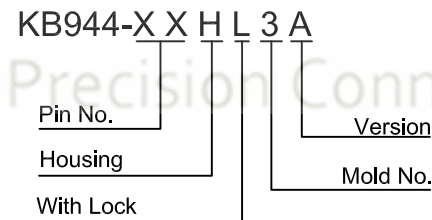
DRAWING FOR CUSTOMER



■SPEC.:

- Rated Voltage:250V AC,DC
- Rated Current:3A AC,DC
- Withstand Voltage:1000V AC/minute
- Contact Resistance:10mΩ max
- Insulation Resistance:1000MΩ min
- Temperature Range:-25℃~+85℃
- Material
- Insulator:PA66 UL94-V0

Poles	Dimensions	
	A	B
2	2.50	7.30
3	5.00	9.80
4	7.50	12.30
5	10.00	14.80
6	12.50	17.30
7	15.00	19.80
8	17.50	22.30
9	20.00	24.80
10	22.50	27.30
11	25.00	29.80
12	27.50	32.30
13	30.00	34.80
14	32.50	37.30
15	35.00	39.80
16	37.50	42.30
17	40.00	44.80
18	42.50	47.30
19	45.00	49.80
20	47.50	52.30



XYCO PRECISION CONNECTORS

TEL: 0769-8297 9981/2/3 <http://www.XYCO.com.cn>

2014-06-21		A	KB944-XXHL3A		John	TOLERANCE 公差	DRAWING 設計者	John	KB944-XXHL3A	
DATE 日期	VER 版本	CHANGE HISTORY 變更歷史	CHANGED NAME 修改後料號	DRAWING 變更者		.X=±0.30 .XX=±0.20 .XXX=±0.10	CHECKED 審查	Thomas	PART NO. 料號	UNIT 單位
							APPROVED 核准	William	DWG NO. 圖號	mm
1	2	3	4	5	6	7	8	9	10	11

PRODUCT NAME 產品名稱	JST XA2.5mm Wire To Board Housing With Lock
----------------------	--