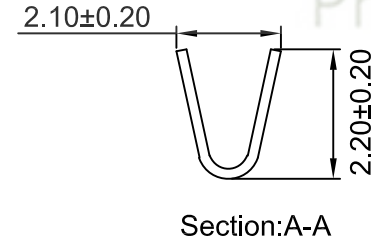
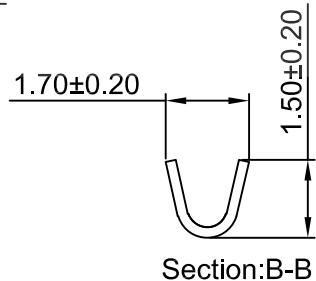
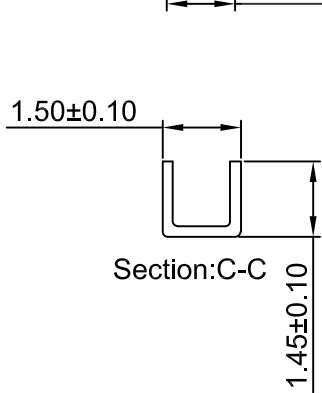
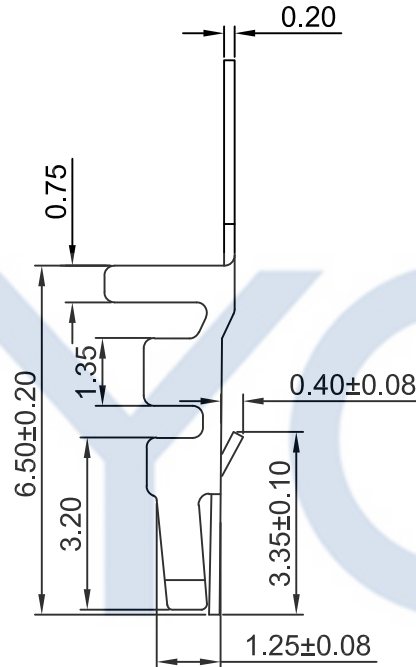
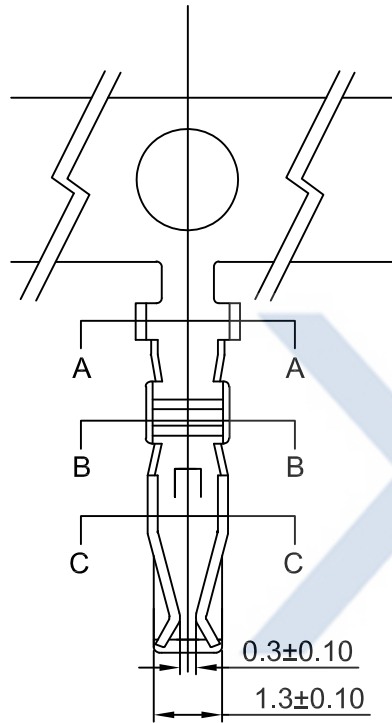


DRAWING FOR CUSTOMER



- SPEC.:
- Rated Voltage:250V AC,DC
 - Rated Current:3.0A AC,DC
 - Withstand Voltage:800V AC/minute
 - Contact Resistance:20mΩ max
 - Insulation Resistance:1000MΩ min
 - Temperature Range:-25℃~+85℃
- Terminal
- Material:Phosphor bronze
 - Applicable Wire:AWG#26~#32

KB932-XX T 6 A

1:All plated
2:Half plated

Plating
0: Tin-Plat
1: Gold Plat1u"
2: Gold Plat3u"
3: Gold Plat5u"

Version
Mold No.
Terminal

XYCO PRECISION CONNECTORS

TEL: 0769-8297 9981/2/3 <http://www.XYCO.com.cn>

					TOLERANCE 公差	DRAWING 設計者	John	KB932-XX T6A			
2016-11-18	A	CHANGE HISTORY 變更歷史	KB932-XX T6A	John	.X=±0.30	CHECKED 審查	Thomas	PART NO. 料號			
DATE 日期	VER 版本				.XX=±0.20	APPROVED 核准	William	DWG NO. 圖號	PE1807036A	UNIT 單位	mm
					.XXX=±0.10					PRODUCT NAME 產品名稱	JST PHD PH2.0mm Wire To Board Terminal

UNIT 單位	mm	PRODUCT NAME 產品名稱	JST PHD PH2.0mm Wire To Board Terminal
------------	----	----------------------	---