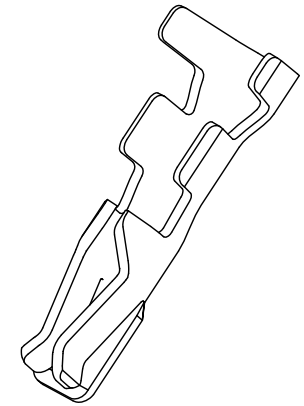
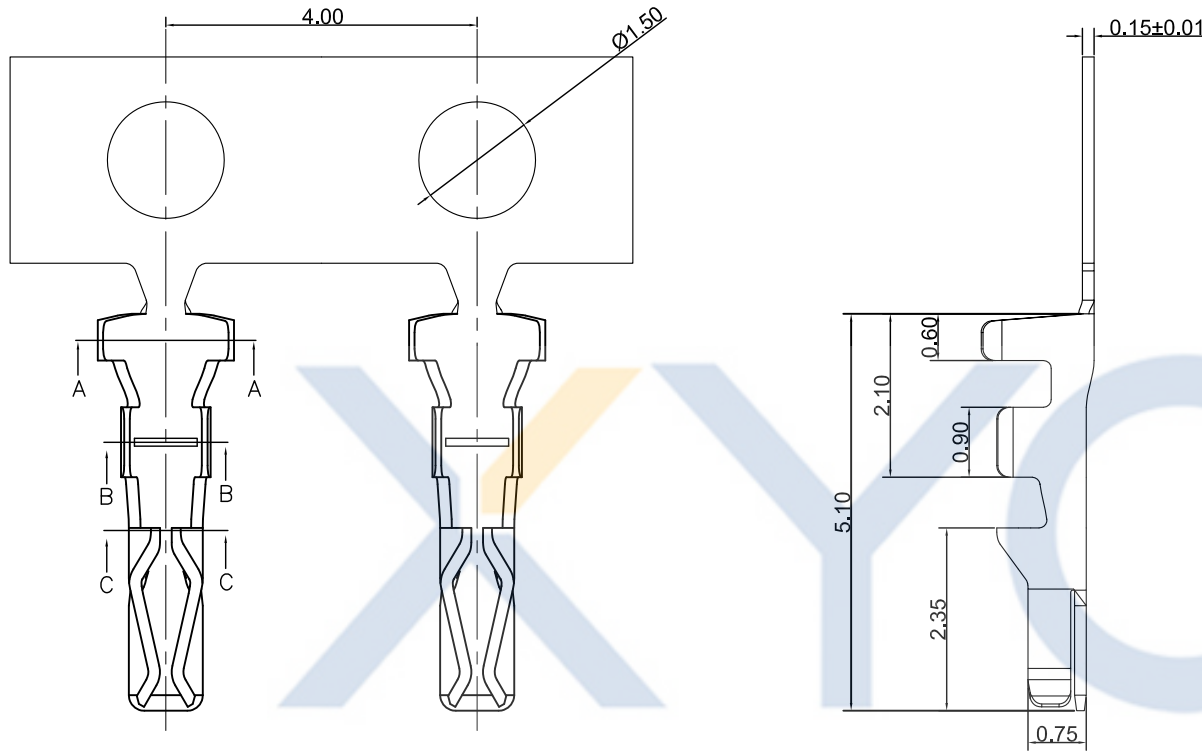
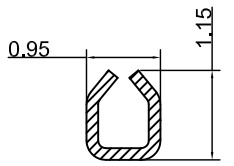


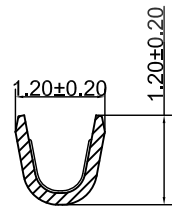
DRAWING FOR CUSTOMER



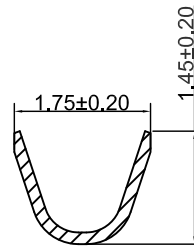
- SPEC.:
- Voltage Rating:150V AC/DC
 - Current Rating:1A AC/DC
 - Withstanding Voltage:500V AC/minute
 - Insulation Resistance:500MΩ min
 - Temperature Range:-35°c to +85°c
 - Contact Resistance:20mΩ max
- Notes:
- Applicable Wires:AWG#28~32
 - Material:Phosphor Bronze
 - Finish:Gold/Tin Plated,over Ni Plated
 - Thickness:0.15mm
 - QTY.:15000pcs/plate



SECTION C-C
SCALE 1:1



SECTION B-B
SCALE 1:1



SECTION A-A
SCALE 1:1

KB912-XXTL1A

- 1:All plated
- 2:Half plated

Plating

- 0: Tin-plat
- 1: Gold Plat 1u"
- 2: Gold Plat 3u"
- 3: Gold Plat 5u"

Version

Mold No.

With Lock

Terminal

XYCO PRECISION CONNECTORS

TEL: 0769-8297 9981/2/3 <http://www.XYCO.com.cn>

				TOLERANCE 公差		DRAWING 設計者		John		KB912-XXTL1A					
2018-08-18		A		新版发行		KB912-XXTL1A		John		PART NO. 料號		UNIT 單位		mm	
DATE 日期		VER 版本		CHANGE HISTORY 變更歷史		CHANGED NAME 修改後料號		DRAWING 變更者		DWG NO. 圖號		PRODUCT NAME 產品名稱		HRS PH1.25mm DF14 Terminal with Lock	
				.X=±0.15 .XX=±0.10 .XXX=±0.05		CHECKED 審查		Thomas		PE1808012A					
						APPROVED 核准		William							