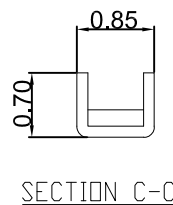
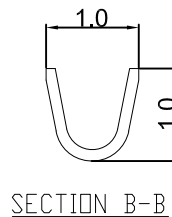
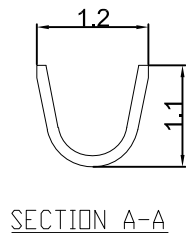
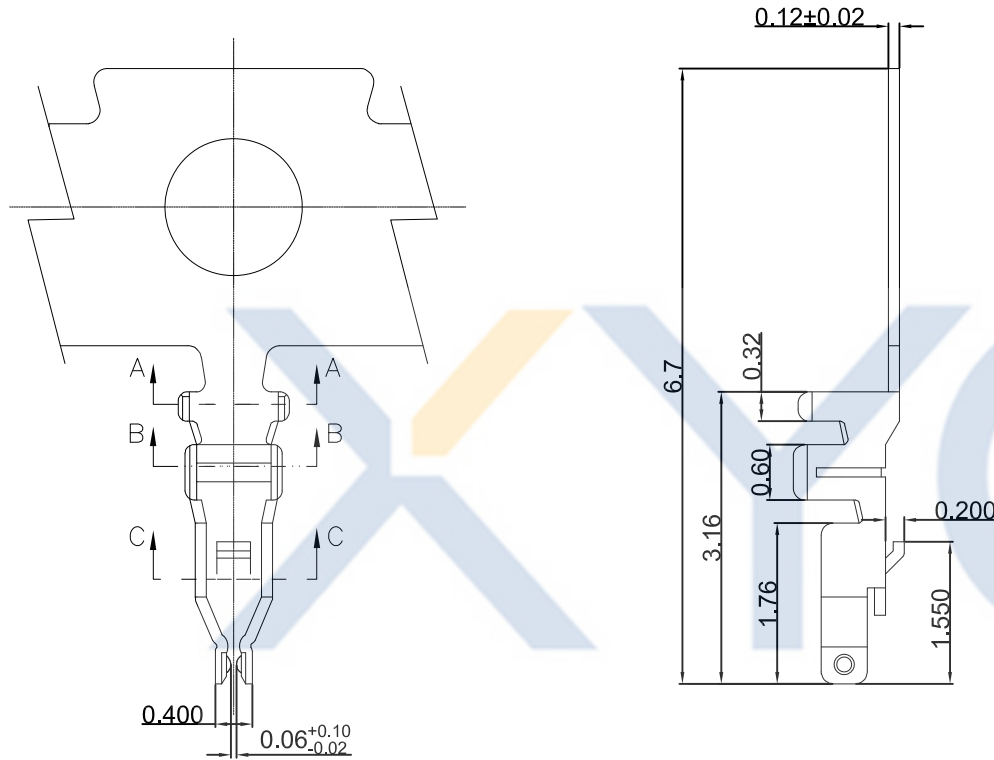


DRAWING FOR CUSTOMER



- SPEC.:
- Rated Voltage:50V AC,DC
- Rated Current:1.5A AC,DC
- Withstand Voltage:500V AC/minute
- Contact Resistance:20mΩ max
- Insulation Resistance:100MΩ min
- Temperature Range:-25℃~+85℃

- Terminal
- Material:Phosphor Bronze
- Finish:Gold-plated ,over Nickel
- Applicable wire:AWG#30~36

Insulation O.D:0.75mm Max

KB1202-XXT5A

1:All plated
2:Half plated

Plating
0: Tin-plat
1: Gold Plat1u"
2: Gold Plat3u"
3: Gold Plat5u"

Version

Mold No.

Terminal

XYCO PRECISION CONNECTORS

TEL: 0769-8297 9981/2/3 <http://www.XYCO.com.cn>

2015-07-17		A	KB1202-XXT5A		Devin	KB1202-XXT5A		UNIT		mm	PRODUCT NAME	ACHSS 1.2mm Wire To Board Terminal							
DATE	日期	VER	版本	CHANGE HISTORY	變更歷史	CHANGED NAME	修改後料號	DRAWING	變更者				TOLERANCE	公差	DRAWING	設計者	Devin	PART NO.	料號